

JD ENAIAO

EXTENSION IO MODULE

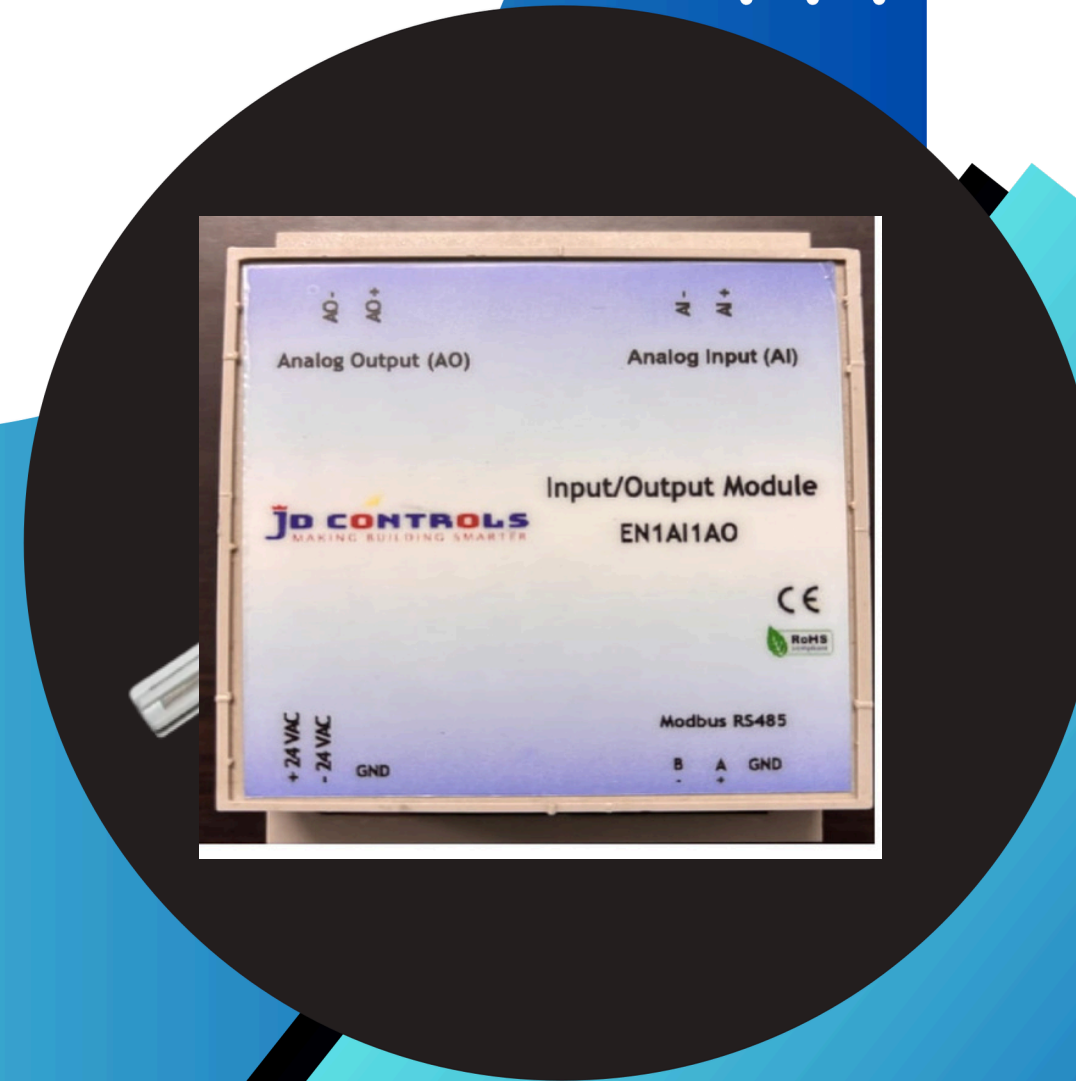
Modbus RS485 Multiple Baud Rate Options Easy Multiplication Processing Analog Signal. Easy integration of I/O-system in on-site processes. Customer specific configuration of I/O-module onrequest (inputs and/or outputs). Modbus RS-485 protocol interface

TECHNICAL SPECIFICATION

- Analog Input: 0-10 V DC or 4-20ma
- Analog Output: 0-10V DC
- Communication: Modbus RS485
- Operating Temp: 0-50 DegC
- Operating Humidity: 0-95% RH
- Mounting : Dinrail
- Dimension:110 x 70x 70mm
- Casing: ABS

Application:

- AHU VFD Speed Control/Feedback
- AHU Valve Speed Control/Feedback
- PUMP VFD Speed Control/Feedback
- Modulating Damper Control/Feedback



Contact with us:

+91 7708219400

www.jdcontrols.co.in

Easy to Use:

- Since Modules are Modbus RS485 Communication ,so this Module can be used as Extension module and above Application system can be easily integrated

System Architecture (BMSDDCEN1AI1AO)



System Requirements

- IO Modules can be commissioned using Modbus Master (Modscan) via serial or BMSCPU2PG1 via IP without programming knowledge
- **Mounting:** DIN RAIL
- **Operating Voltage:** 24 V AC/DC
- Modscan or Modbus Master Utility Software for Commissioning
-
- USB to RS485 or Modbus Gateway/Modbus Master for Integrating IO Module



Technical Features:

- No Configuration required
- Easily Integration to BMS/ENCPU2PG1 or any Third party Modbus Master

Zero Minimal Down Time:

- Incase of failure of IO Module, We can replace IO module on immediate , System can be retained without any additional proگرامing skill.

Turnkey Solution :

- Modules are modular concept, We can able to design and multiply turnkey projects using this modular IO Modules.

SERVICES AVAILABLE

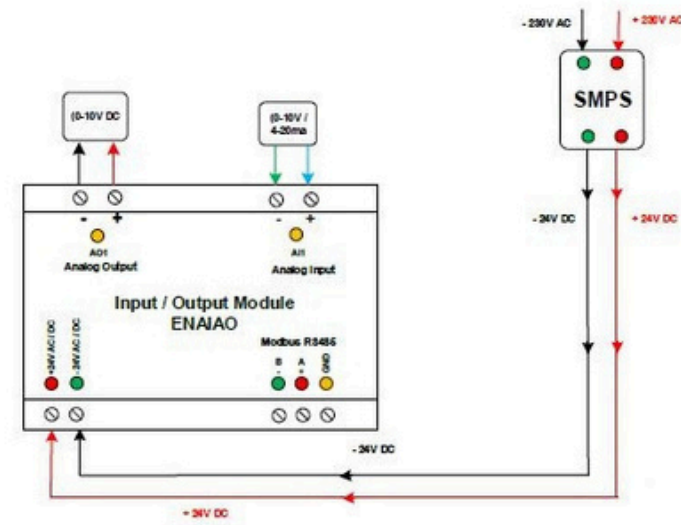
Technical Support
Installation and Setup
Maintenance
Application Support
Hardware Support
Warranty

APPROVAL

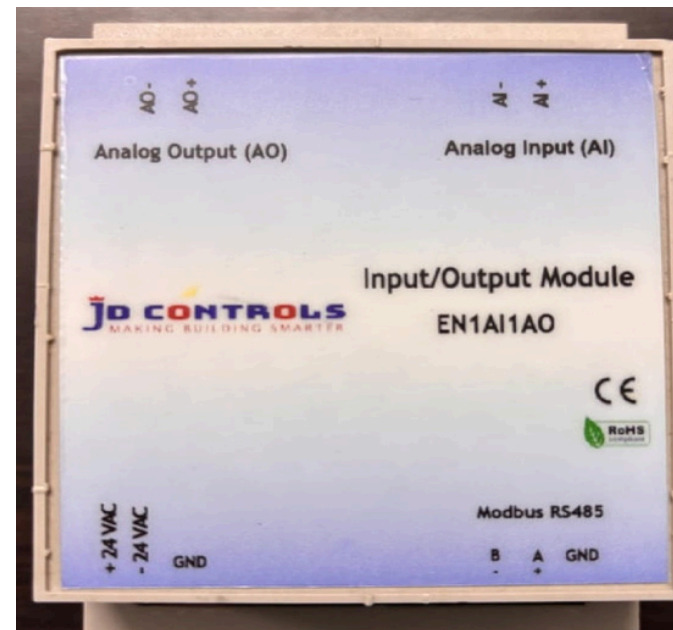
CE, RoHs

Wiring Diagram ENAIAO

ENAIAO Wiring Diagram



All Dimensions are In mm
(L*W*H) (110*70*70mm)



Why Choose US

We have the solution for you! By featuring seamless and adaptive, vendor-neutral, open-protocol solutions in building automation, be it for maintenance, retrofits or upgrades.

1AI1AO Address Details

S.No	I/O Points	Modbus Address	Modbus Type
1	AI-1 (0-10V DC) / (4-20ma)	40001	HOLDING REGISTER
2	AO-1 (0-10V DC)	40004	HOLDING REGISTER



FOR INQUIRIES AND ORDERS, PLEASE CONTACT US AT

Coimbatore

Tidelpark coimbatore limited, ELCO SEZ,
Civil Aerodrome post,
Vilankurichi road,
Coimbatore -641014.
Tamil Nadu, India

Contact us: +91 7708219400
www.jdcontrols.co.in

